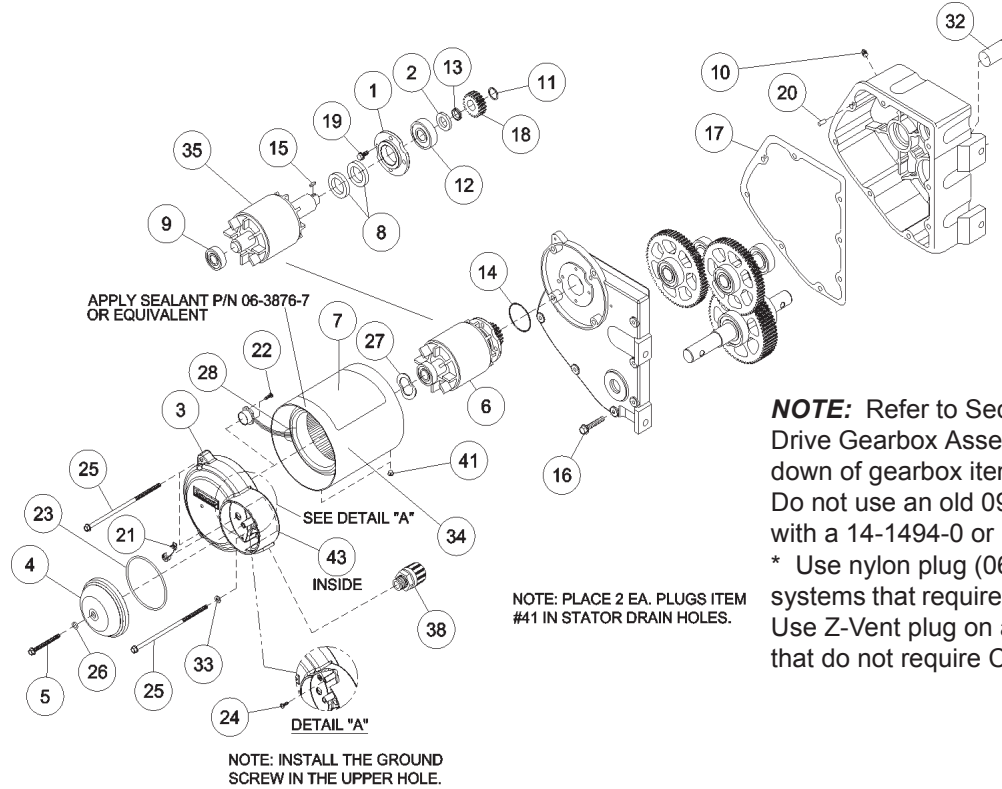




# Center Drives

## Center Drive Assembly 3/4 HP, 43 RPM, 03-4184-2



**NOTE:** Refer to Section: Center Drive Gearbox Assemblies for break-down of gearbox items.  
Do not use an old 09-9046-5 rotor with a 14-1494-0 or 1600714 stator.  
\* Use nylon plug (06-4235-5) for systems that require CE compliance. Use Z-Vent plug on all applications that do not require CE compliance.

Ref.	Original Part No.	Substitute Part No.	Description
1	03-4084-4		Retainer, Seal, Center Drive
2	03-4182-6		Spacer, Center Drive
3	14-4914-0		Bracket, Motor, Lindsay, RD.Cap
4	14-4916-0		Cap, End Bracket, Clear-Coat
5	14-4920-0		Screw, 1/4-20 x 2, Taptite,SS
6	03-4482-0		Rotor Assy, 3/4HP, 43RPM, 2008F
7	1601083		Label, Warning, Stator
8	06-3101-0		Seal, Grease, Chic Rawhide #9878
9	06-0987-5		Bearing, Ball, 620 3LLU , .669 I.D.
10	06-2103-7		Plug, Pipe, Sq. Head, 3/8"
11	06-3098-8		Ring, Ret., Inverted Ext., 3/4"
12	06-3104-4		Bearing, Ball, 6304LLU,787 I.D
13	06-3105-1		Ring, Load, 3/4" Shaft
14	06-3109-3		O-Ring, 2" I.D x 2-1/8" O.D
15	06-3112-7		Key, 1/8 x 3/16 x 5/8", Heat Treat.
16	06-3120-0		Screw, 5/16-18 x 1-3/4", Special
17	06-3128-3		Gasket, Center Drive Cover
18	06-3129-1		Gear, Spur, Center Drive 1st
19	06-3148-1		Screw, 1/4-20 x 5/8", Hex, Gr. 5
20	06-3195-2		Pin, Spring, .25" x .75", PLM
21	14-4919-0		Strain Relief Bushg. HEYCO#1184
22	06-3249-7		Screw, #8-32 x 5/8" Phillips Pan Hd

Ref.	Original Part No.	Substitute Part No.	Description
23	14-4917-0		O-Ring, 1/8" x 3-7/8", #239
24	06-3297-6		Screw, #10-32 x 7/16 PPH, Green
25	06-3300-8		Screw, 1/4-20 x 8-11/16", HWH
26	14-4918-0		O-Ring, 1/16" x 1/4" x 3/8", #010
27	06-3342-0		Washer,Wave,1-3/16ID x 1-9/16OD
28	09-0816-0		Tie, Cable, Plastic, 5-1/2" Long
29			
30			
31			
32	06-4055-7		Cap, Shaft, Vinyl, 15/16" I.D.
33	06-4523-4		Washer, 1/4", Nylon
34	14-1494-0	1600714	Stator,3/4HP,60Hz,1800RPM, 006
35	14-1495-0		Rotor, 3/4 HP, 1800 RPM, 08F
36			
37			
38	11-4325-4		Connector, 1/2", w/o Nut and O-ring
39			
40	11-9894-0		Kit, Motor, Repair, 3/4HP, 43R, US
41	06-4235-5* 14-2883-0*		Plug, Hole, Nylon, 1/4 x 0.062 thick Z-Vent, Plastic Vent, 1/4"
42			
43	14-8447-0		Decal, Motor Schematic