

Motor Assembly, Lindsay C.D., 1 HP, 59 RPM

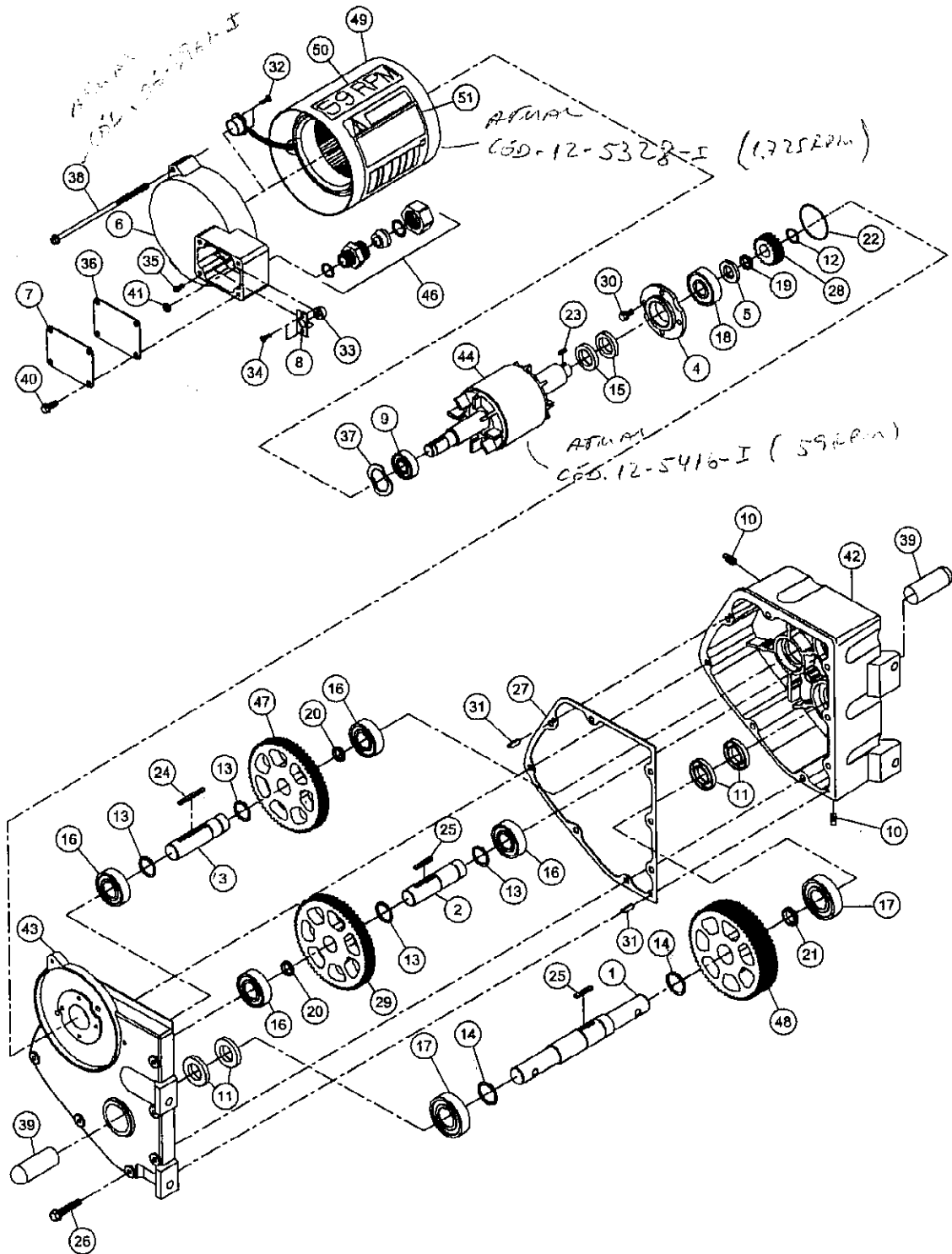


Figure 10

Motor Assembly, Lindsay C.D., 1 HP, 59 RPM (cont'd.)

Ref.	Original Part No.	Substitute Part No.	Description
1	3-4081-0		Shaft, Output, Center Drive
2	3-4082-8		Shaft, 2nd, Center Drive
3	3-4083-6		Shaft Assembly, 3rd, Center Drive
4	3-4084-4		Retainer, Seal, Center Drive
5	3-4182-6		Spacer, Center Drive
6	3-4426-7		Bracket, Motor, Lindsay
7	3-4434-8		Cover, Conduit Box, Center Drive
8	3-4435-8		Clamp, Grommet, Motor Bracket
9	6-0987-5		Bearing, Ball, 6203LLU, .669 I.D.
10	6-2103-7		Plug, Pipe, Square Head, 3/8", Plated
11	6-2106-0		Seal, Grease, Chic, Rawhide, #9998
12	6-3098-8		Ring, Retainer, Inverted Ext., 3/4"
13	6-3099-6		Ring, Retainer, Inverted External, 1"
14	6-3100-2		Ring, Ret., Inverted Ext., 1-3/16"
15	6-3101-0		Seal, Grease, Chic, Rawhide, #9878
16	6-3102-8		Bearing, Ball, 6205, 984 I.D.
17	6-3103-6		Bearing, Ball, 6206, 1.181 I.D.
18	6-3104-4		Bearing, Ball, 6304LLU, 787 I.D.
19	6-3105-1		Ring, Load, 3/4" Shaft
20	6-3106-9		Ring, Load, 25 MM Shaft
21	6-3107-7		Ring, Load, 30 MM Shaft
22	6-3109-3		O-Ring, 2" I.D. x 2-1/8" O.D.
23	6-3112-7		Key, 1/8 x 3/16 x 5/8", Heat Treated
24	6-3114-3		Key, 1/8 x 3/16 x 1 15/16", Heat Treated
25	6-3115-0		Key, 1/8 x 3/16 x 1-1/4", Heat Treated
26	6-3120-0		Screw, 5/16-18 x 1-3/4", Special
27	6-3128-3		Gasket, Center Drive Cover
28	6-3129-1		Gear, Spur, Center Drive 1st
29	6-3130-9		Gear, Spur, Center Drive, 2nd
30	6-3148-1		Screw, 1/4-20 x 5/8", Hex, Gr. 5
31	6-3195-2		Pin, Spring, .25" x .75", PLM
32	6-3249-7		Screw, 8-32 x 5/8", Phillips Pan, Head, #23
33	6-3258-8		Grommet, Motor End Bracket, Lindsay CD
34	6-3296-8		Screw, #10-32 x 7/16 PPH
35	6-3297-6		Screw, #10-32 x 7/16 PPH, Green
36	6-3304-0		Gasket, Conduit Box Cover, C.D.
37	6-3342-0		Washer, Wave, 1-3/16 I.D. x 1-9/16" O.D.
38	6-3961-7		Screw, 1/4-20 x 9-3/16", HWH
39	6-4055-7		Cap, Shaft, Vinyl, 15/16" I.D.
40	6-4181-1		Screw, 1/4-20 x 3/4", HXWH
41	6-4523-4		Washer, 1/4", Nylon
42	10-4666-3		Housing, Center Drive (Machined)
43	10-4668-9		Cover, Center Drive (Machined)
44	10-9539-7		Rotor, 3/4 HP, 1800 RPM, 380/460
45	11-0978-4		Decal, "Fragile"
46	11-2835-4		Connector, 1/2" w/o Nut, 37-.5" Dia.
47	11-6089-4		Gear, Spur, Center Drive, 3rd
48	11-6090-2		Gear, Spur, Center Drive, 4th
49	11-6408-6		Stator, 1 HP, 1725 RPM, Magnetek
50	11-6410-2		Decal, 59 RPM
51	11-6411-0		Nameplate, Lindsay CD, 1 HP, 59 RPM